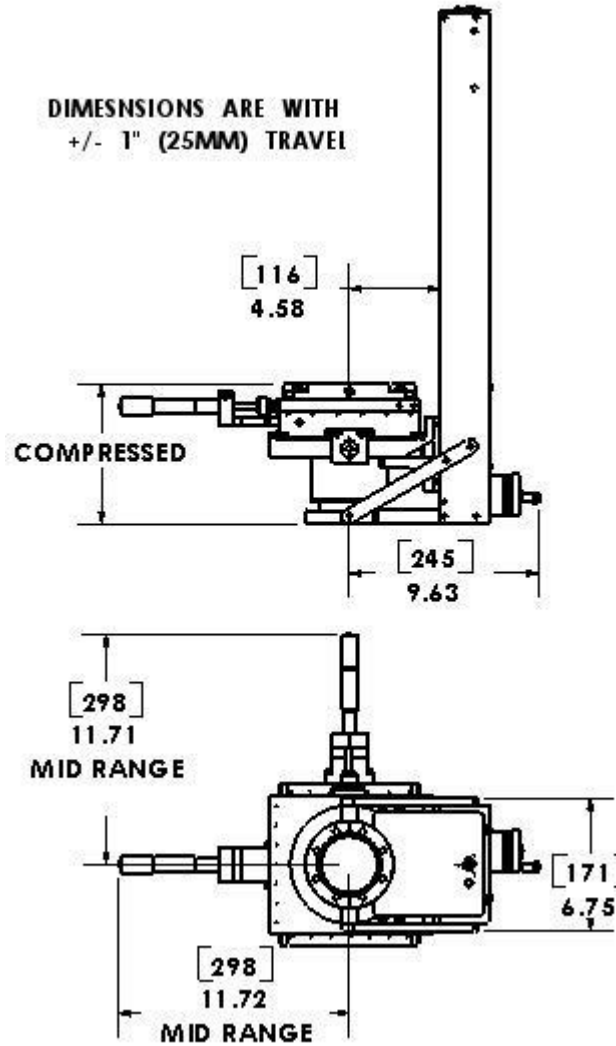


DIMENSIONS ARE WITH  
+/- 1" (25MM) TRAVEL



VB1500 series XYZ manipulator

Not scale drawing

Sheet 1 of 2

Date: 10/02/2011

Revision: 0.0

Dimensions: IN (mm)

Number:

Property and confidential

The information contained in this drawing is the sole property of Vaqtec Srl. Any reproduction in part or as a whole without the written permission of Vaqtec Srl is prohibited.