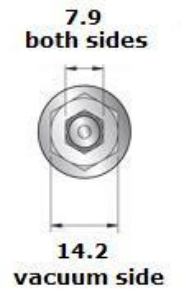
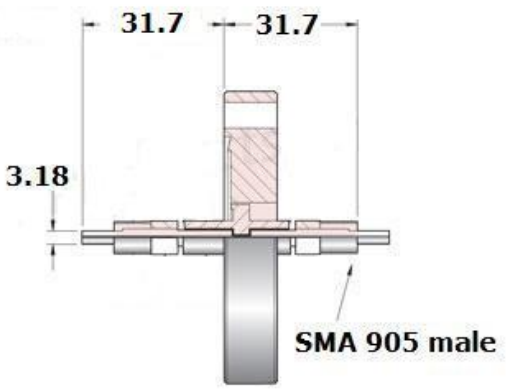


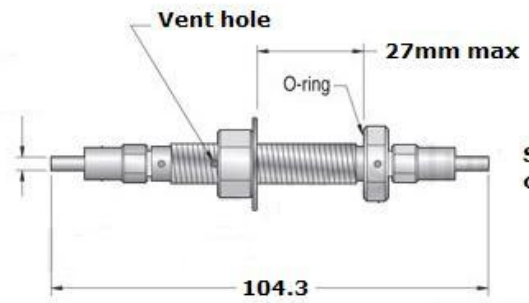
CF16



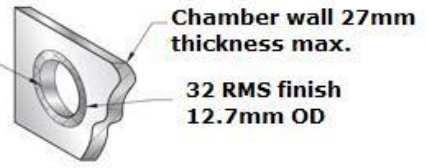
CF40



3/8" diameter mounting hole



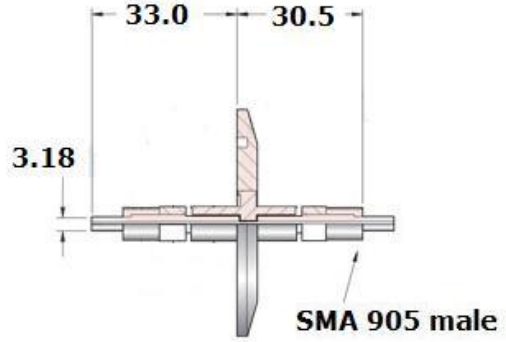
Standard SMA 905 male connector on both ends



KF16



KF40



Fiber optic feedthroughs

Not scale drawing

Sheet 1 of 1

Date: 10/02/2011

Revision: 0.0

Dimensions: mm

Number:

Property and confidential

The information contained in this drawing is the sole property of Vaqtec Srl. Any reproduction in part or as a whole without the written permission of Vaqtec Srl is prohibited.